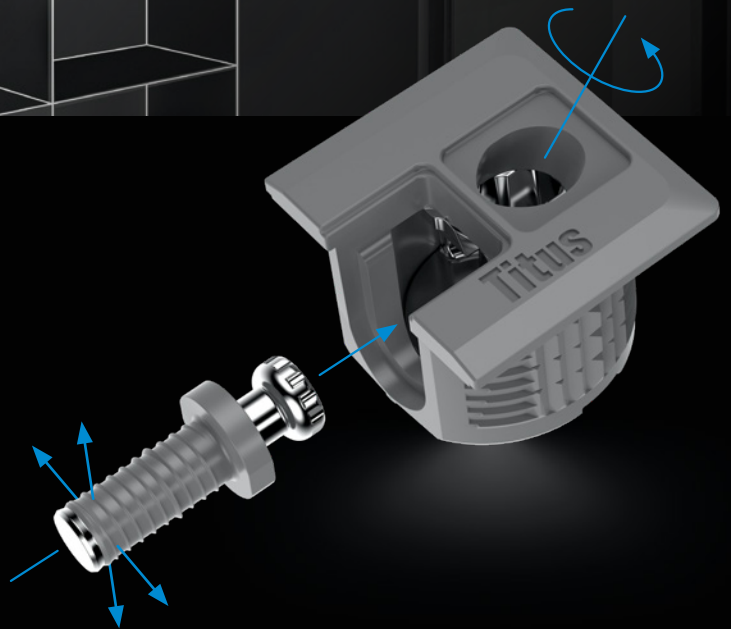


Titus+



System 6

Second generation of face-boring connectors for fast and flexible cabinet assembly



Engineered for Efficient Cabinet Assembly

The second generation of System 6 connectors is Titus' solution for the assembly of wardrobes, walk-in closets, and storage systems. It is a system of connectors for face-boring application, which makes it efficient for manufacturing in environments with limited drilling capability. It is suitable for wardrobes and closets requiring continuous or modular assembly of segments in a tight space or with limited access.

The System 6 has been engineered to enhance the efficient assembly of cabinets, adding also to the elegant aesthetics of the furniture pieces.



**Ribs on housing for
reliable cam positioning**



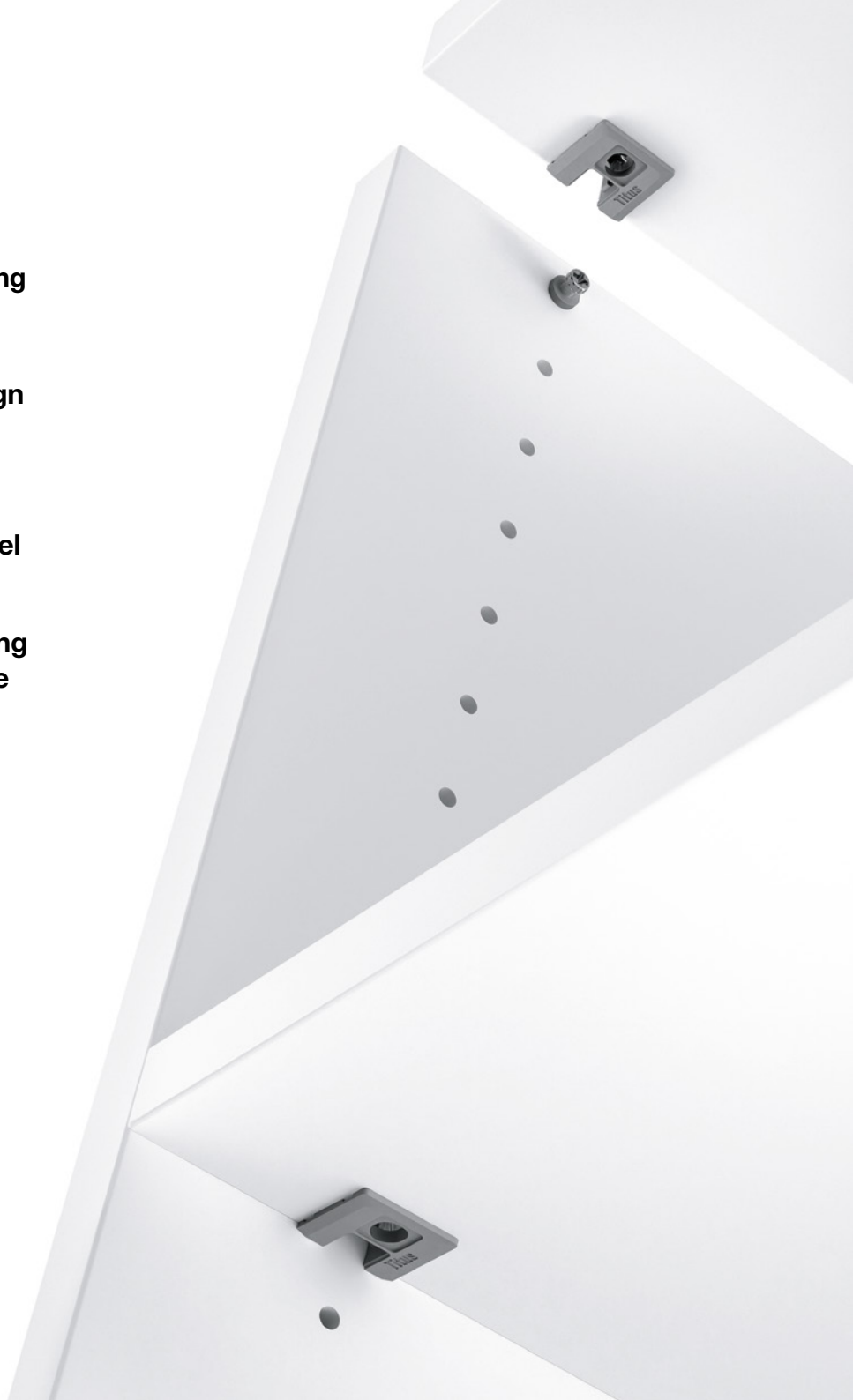
Efficient square design



**Fast assembly with
toolless Quickfit dowel**



**Comfortable tightening
with Angledriv feature**



Second generation of System 6 connectors

Efficient assembly with the Quickfit dowel

Our System 6 connectors have been designed for the assembly of modular shelving and storage systems. With the use of toolless Quickfit dowel, quick and easy mounting is a given thanks to its push-in design which simplifies and speeds up the installation process. The Quickfit dowel is inserted by hand and expands when the cam is tightened, efficiently gripping the hole. The dowel can be easily removed without damaging the panel which is especially useful when a shelf needs to be moved or when the dowel has been inserted in the wrong hole.

New square design

With the new generation of connectors comes a new square design which provides optimal panel positioning and ease at tightening, thanks to a larger surface of the product that rests on the panel when tightened. Additionally, the square shape offers better coverage of possible panel damage made at drilling.



Ribs on housing ensure firm and reliable cam positioning

- No housing rotation in the panel
- Firm cam positioning in the hole
- Tight panel joints



Efficient square design

- Optimal panel positioning parallel to the board surface
- Increased mounting accuracy and ease of tightening
- Cam square design completely covers the drilling hole and possible panel damage

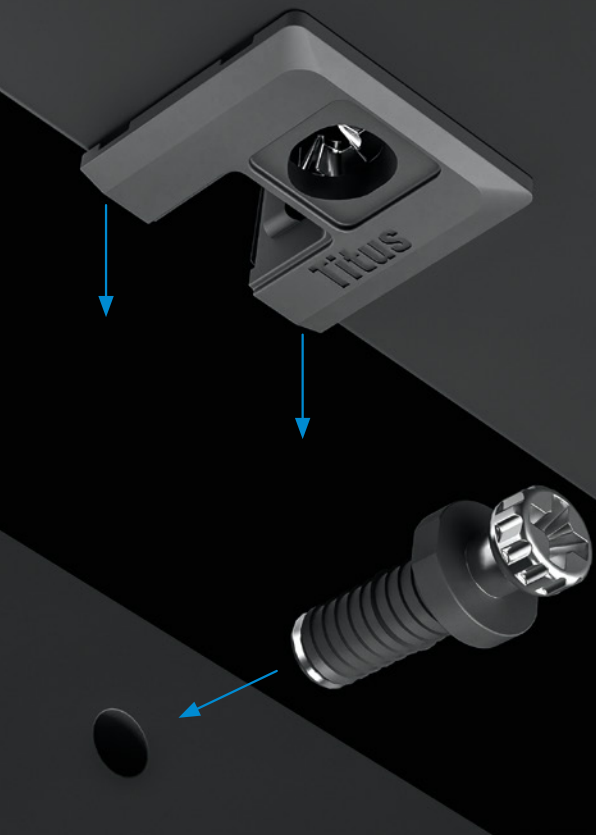
Quickfit



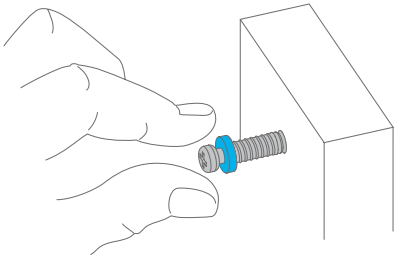
Quickfit dowel for fast assembly

- Easy tool-free dowel insertion
- The Quickfit dowel expands when the cam is tightened, efficiently gripping the hole
- Dowel can be easily removed without causing damage to the panel





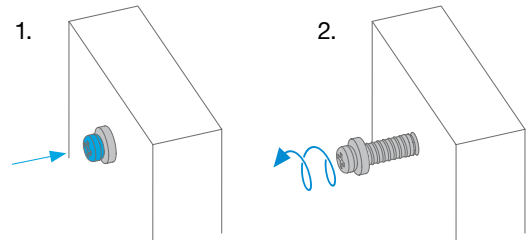
Dowel insertion



Positive stop

An integrated skirt on the dowel assures correct insertion depth with every mounting, thus providing consistently tight panel joints.

Dowel removal



Easy removal of the dowel without damaging the panel allows re-installation at any location:

1. Push the dowel into the panel
2. Unscrew with hand

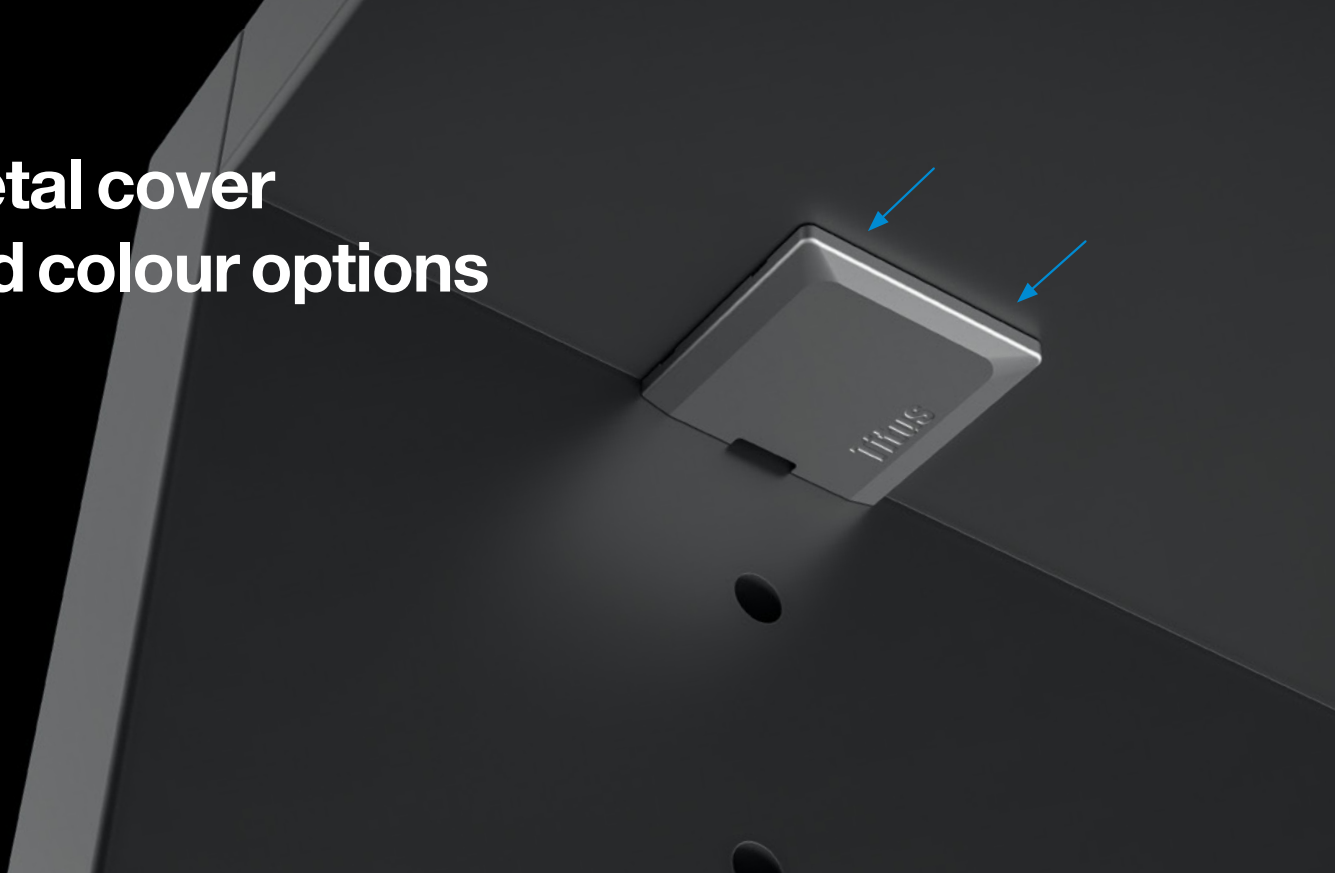
Angledriv



Comfortable tightening with Angledriv feature

- Comfortable tightening under an optimal angle
- Easy tightening even on highly placed or hard-to-reach panels
- Sturdy construction with optimally aligned and tight panel joints

Metal cover and colour options



Metal cover cap

- For premium aesthetics and contemporary design
- Nickel-plated or TeraBlack surface finish
- Factory-mounted or retrofit add-on



Colour options

System 6 housing is manufactured in a variety of colour options



More colours available upon request



dark brown



dark grey



light grey



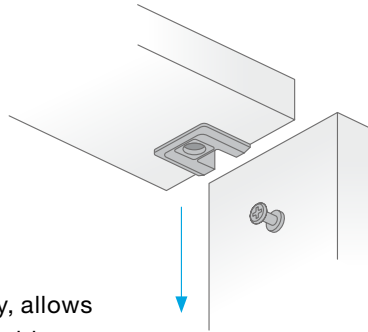
white

A range of solutions

Board mounting

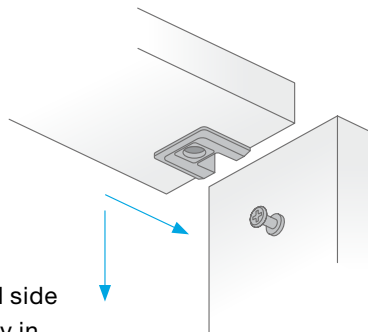
Drop-on mounting

Mounting from top only, allows for a one-person assembly, holding in place the panels prior to cam tightening.



Side-entry mounting

Mounting from top and side is suitable for assembly in confined spaces with no top-side access.

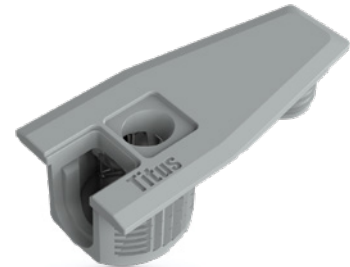


Wedgefix



A structural shelf support that adds to the stability of the cabinets.

System 6 Outrigger



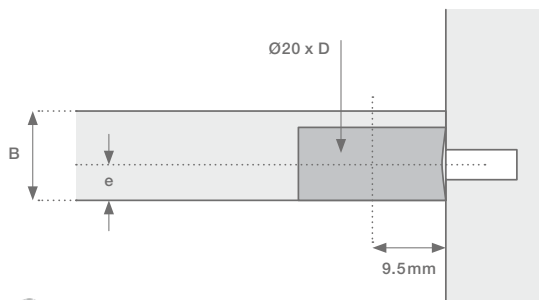
The outrigger option with the added rig enhances the intuitive mounting and provides a stronger grip of the cam to the panel.

Technical details

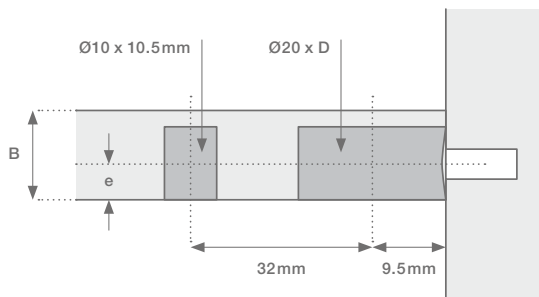
Panel thickness	B	15/16mm	18/19mm
Drilling depth	D	12.5mm	14mm
	e	7.75mm	9.25mm



System 6



System 6
Outrigger



Engineered for Purpose

Titus is committed to providing its customers with products and services that improve their competitiveness, while reducing manufacturing and assembly costs.

Titus+

Titus Group / titusplus.com

