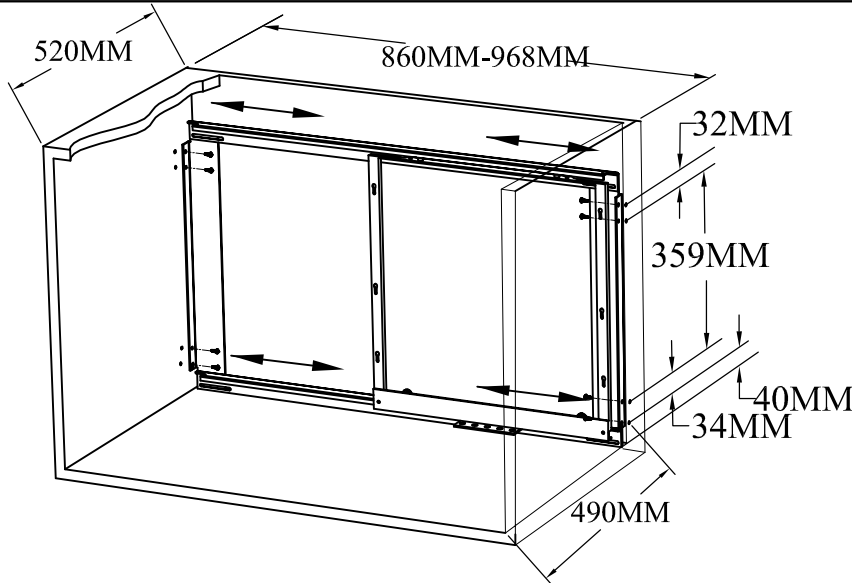
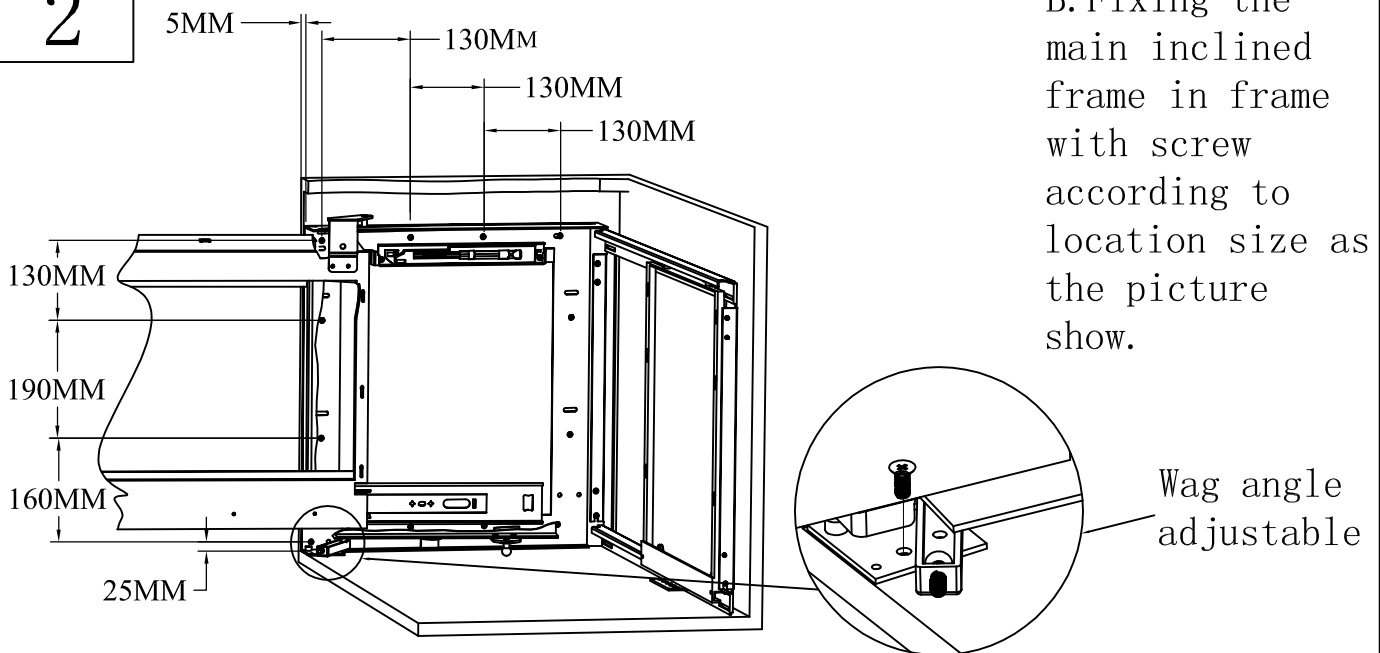


1



A. Fixing the main slide-out frame in frame with screw according to location size as the picture show.

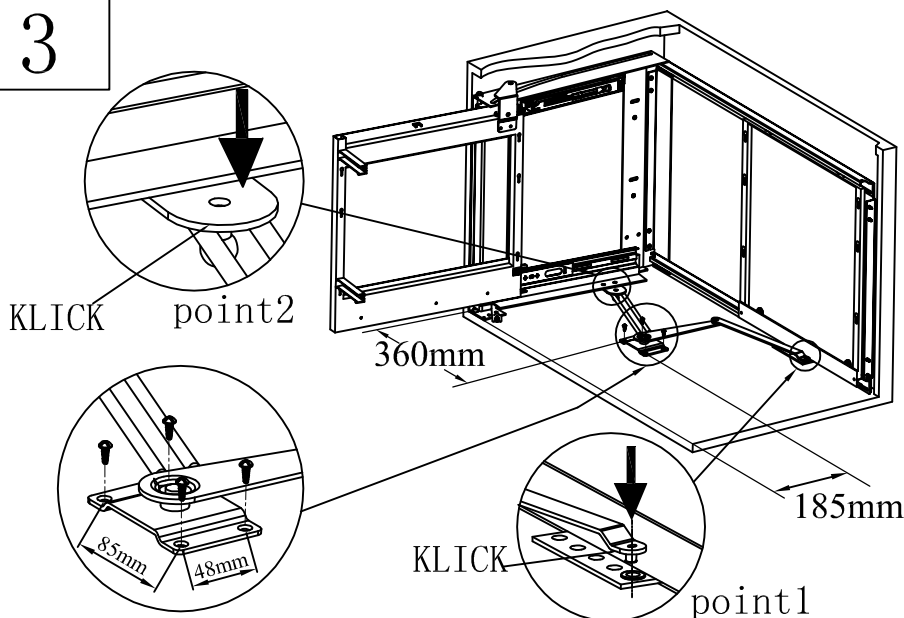
2



B. Fixing the main inclined frame in frame with screw according to location size as the picture show.

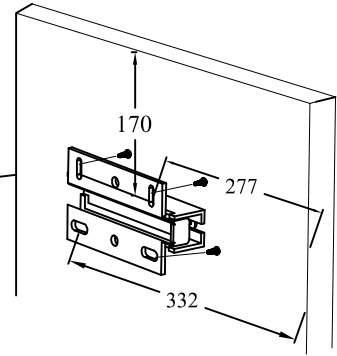
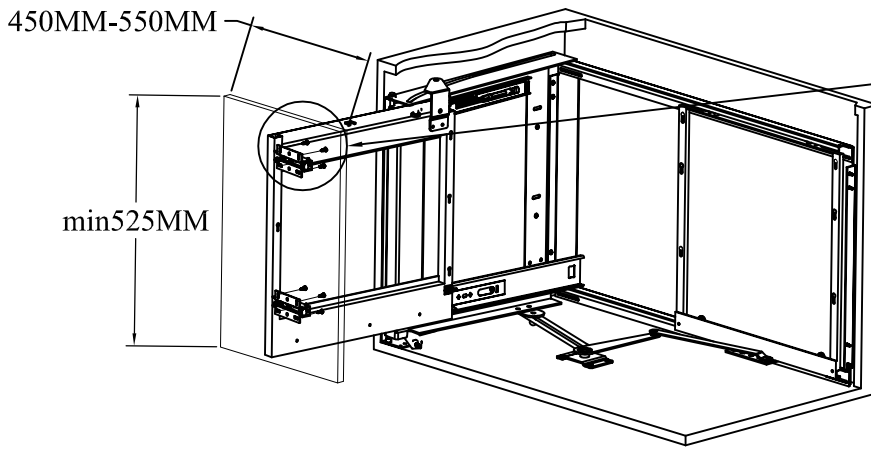
Wag angle adjustable

3



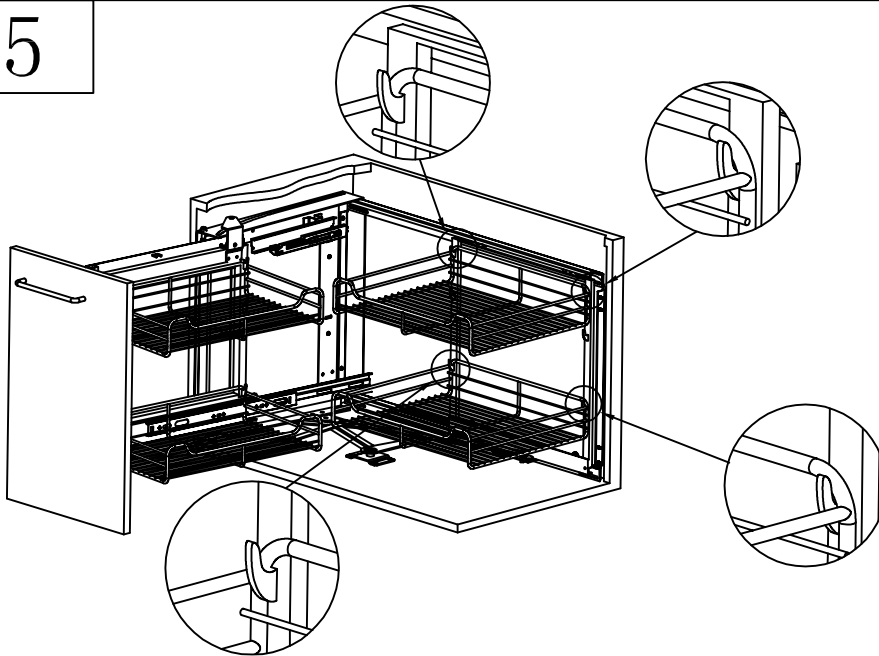
C. Adjusting location of wag frame well. first fixed two side of it on the two frames, then fixed fame base in frame according to the location wiht screw.

4

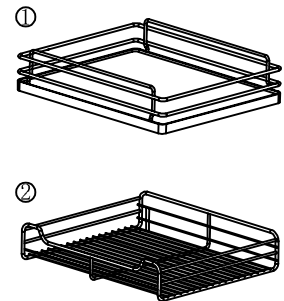


D. Connecting panel and main inclined frame with the screw.

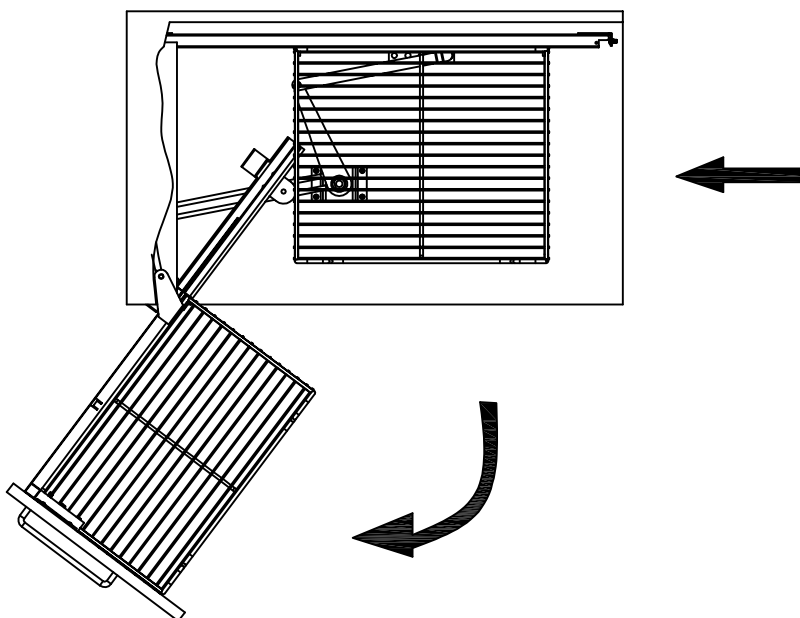
5



E. Installing basket as picture show, finished installation.



6



F. Framework locomotion showing picture.