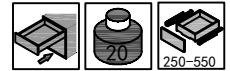
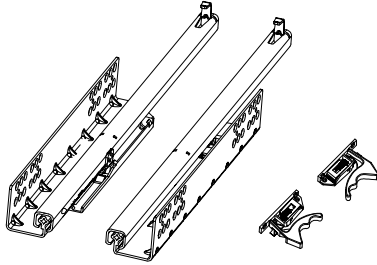


Instruction for installation

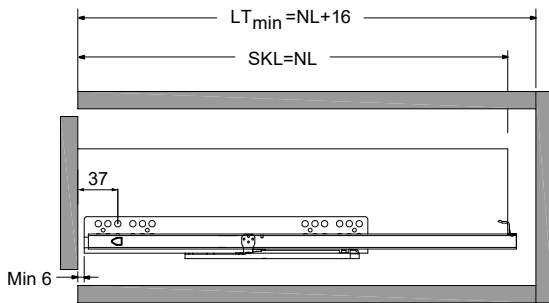


Single extension Soft-close concealed runner w/handle (16mm board thickness)



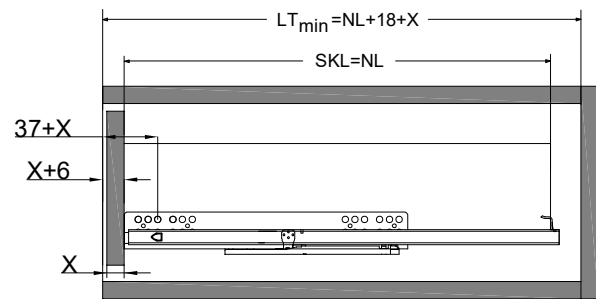
- * Material: Galvanized steel
- * Load rating: 20KG (400mm as standard)
- * Cycling: 50,000 times
- * Size range: 250mm-550mm, customized is available
- * Special function: soft closing
- * Assembling: plastic switch, adjustable for multi-direction
- * Application: Commercial and residential furnitures, cabinets, etc.

Standard drawer



Space for soft-closing SKL: Drawer Length
LT: Inside Cabinet Depth

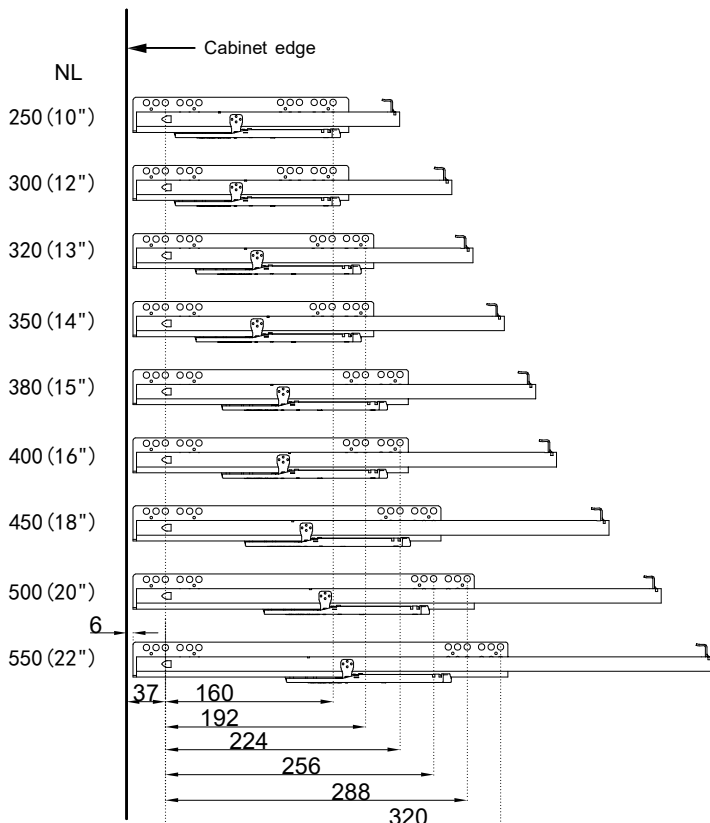
Inner drawer



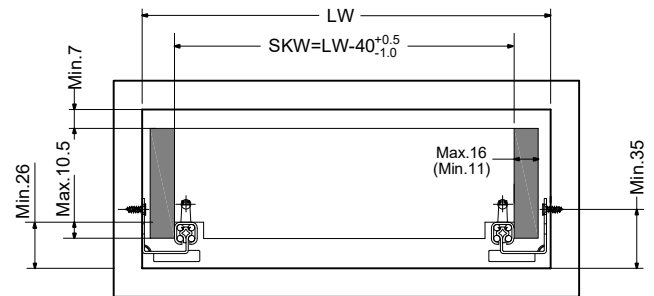
LT: Inside Cabinet Depth

Screw position

NL: Nominal Slide Length



Space requirement in cabinet

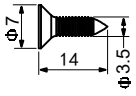
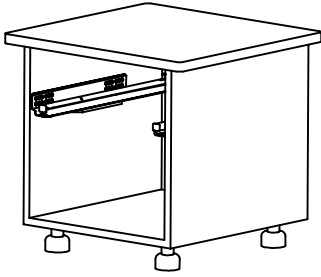


SKW Internal Drawer Width LW Internal Cabinet Width

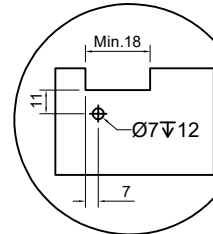
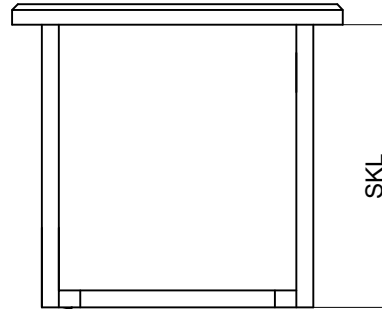
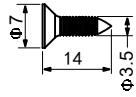
Product information

Item No.	Drawer Length (SKL)	Slide Length (mm)	Packing (Set/Box)
03008-250	250 (10")	254	10
03008-300	300 (12")	304	10
03008-320	320 (13")	324	10
03008-350	350 (14")	354	10
03008-380	380 (15")	354	10
03008-400	400 (16")	404	10
03008-450	450 (18")	454	10
03008-500	500 (20")	504	10
03008-550	550 (22")	554	10

Slide installation

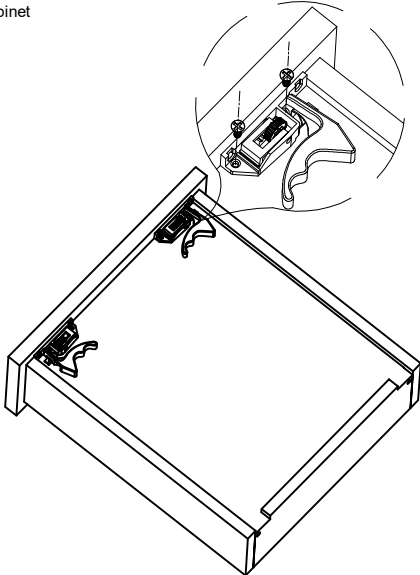


Drawer back preparation



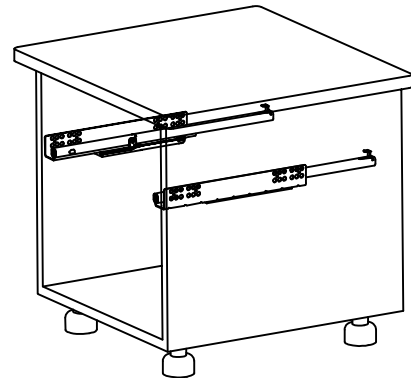
Drawer installation

Assemble the handle on she bottom cabinet



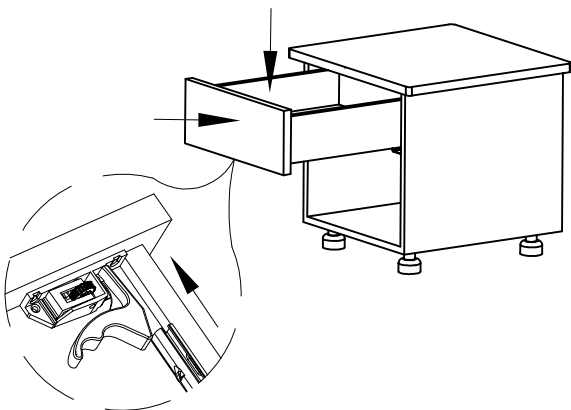
Slide rail installation

Assemble the left and right slide on both sides of cabinet



Height adjustment

The drawer on the slide, regulating screw into the drawer hole, and then into the cabinet, the installation is complete



Push the drawer drawer damping closed

